

MLS

Laboratory Autoclaves

50 L | 80 L



MLS-830L-PE

MLS-530L-PE

Convenient sterilisation on demand offers great flexibility
MLS series top-loading autoclaves are a popular method of sterilisation for today's research laboratories. Self-contained and easy to use, these reliable autoclaves are ideal for a wide range of applications.

Accurate & Customizable

A microprocessor monitors and controls steam temperature within the chamber, ensuring that it is maintained within the 105°C – 135°C range. Sterilisation temperature and time can be easily adjusted as needed.

User Friendly Design

7-inch large color LCD touch screen allows easy operation. Each mode (normal sterilization, medium/liquid sterilization, and medium dissolution) can be easily started up by the presets.

User Safety

The "3-Class Authority Management Function" (User, Manager, Service Class) provides the robust management and maintenance of the unit by limiting the range of setting for each class.



Variable Applications

Applicable to health care, scientific research units, such as used for sterilization of medical device, labware, culture media and sealing liquid or preparations



Compact

The compact design is ideal where space is limited. The body of the unit, with its built in exhaust bottle, measures a mere 520 x 660 mm so it will fit in the tightest spaces. Four wheels allow the unit to be easily moved.



Temperature control

Several audible and visual alarms add to the user safety. A buzzer sounds to alert the user the end of sterilisation cycle so the items can be removed from the autoclave.



MLS Portable Laboratory Autoclaves

PHC laboratory autoclaves provide a safe and reliable high pressure steam sterilising environment within a unit that is particularly easy to use. The “3-Class Authority Management Function” (User, Manager, Service Class) provides a robust management and maintenance of the unit by limiting the range of setting for each class.

MLS-830L-PE

Accurate sterilisation operation

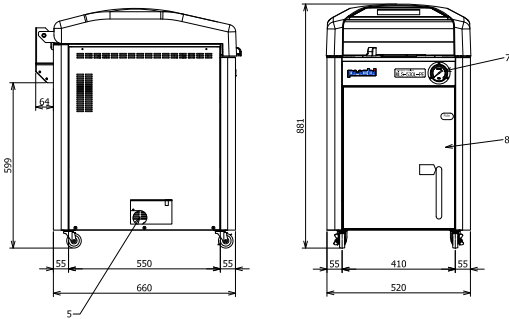
A microprocessor monitors and controls steam temperature within the chamber, ensuring that it is maintained within the 105°C – 135°C range.

Customizable sterilization program

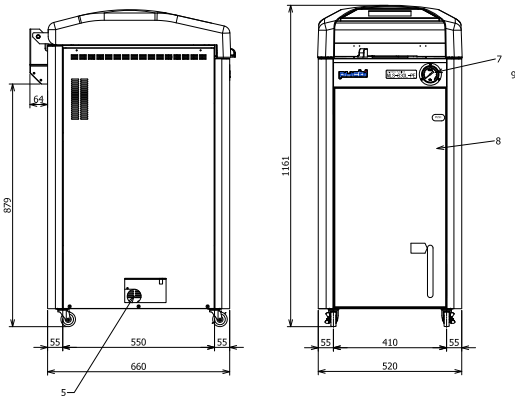
Sterilisation temperature and time can be easily adjusted as needed. Latest set values are always stored in the system, even after the autoclave is switched off.

Door protection function

Ergonomic up and down lid opening, with a safety mechanism attached. The lid will not open due to the safety lock mechanism under the high pressure condition. An electronic door lock prevents and detect the correct closure of the lid.

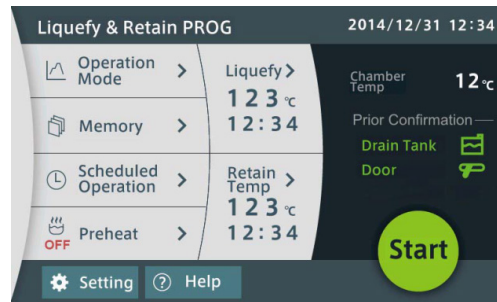


MLS-530L-PE



MLS-830L-PE

TouchScreen Display



The new 7" touchscreen display allows to the user to program in a very user-friendly way the protocols, save them and even schedule the instrument for the future.

- 7-inch large color LCD touch screen allows easy operation.
- Each mode (normal sterilization, medium/liquid sterilization, and medium dissolution) can be easily started up by the pre-sets.
- The “3-Class Authority Management Function” (User, Manager, Service Class) provides the robust management and maintenance of the unit by limiting the range of setting for each class.
- Auto start-up, preheating functions allow shortening preparing time and improve work efficiency.
- Optional sample temperature sensor can be used for temperature management and maximize the effectiveness of sterilization.

Model Number		MLS-530L-PE	MLS-830L-PE
External Dimensions (W x D x H)	mm	520 x 660 x 881	520 x 660 x 1161
Internal Dimensions	∅ mm	370 x 470	370 x 750
Volume	liters	50	80
Net Weight (approx)	kg	105	125
Performance			
Pressure Gauge Range		0 - 0.4 Mpa	
Sterilisation temperature	°C	105 - 135	
Liquefy temperature	°C	60 - 110	
Retain temperature	°C	45 - 60	
Preheat temperature	°C	45 - 80	
Operating ambient temp	°C	5 - 35	
Timer setting range		1 min to 99h59min	
Temperature gauge range	°C	Touchscreen display 45 - 150	
Max. Operating pressure		0.255 Mpa	
Control			
Temperature control		PID control by microcomputer	
Construction			
Interior material		Stainless Steel (SUS 304)	
Stainless steel baskets		2	3
Dimension baskets	∅ mm	332 x 195,5	
Drain bottle		5 ltr polyethylene tank	
Safety devices			
		Pressure safety valve • Over-temperature limiter • Over-pressure limiter • Anti-scorch limiter • Door interlock • Current fuse	

Appearance and specifications are subject to change without notice.



شركة أفلو
للأجهزة الطبية والمختبرية